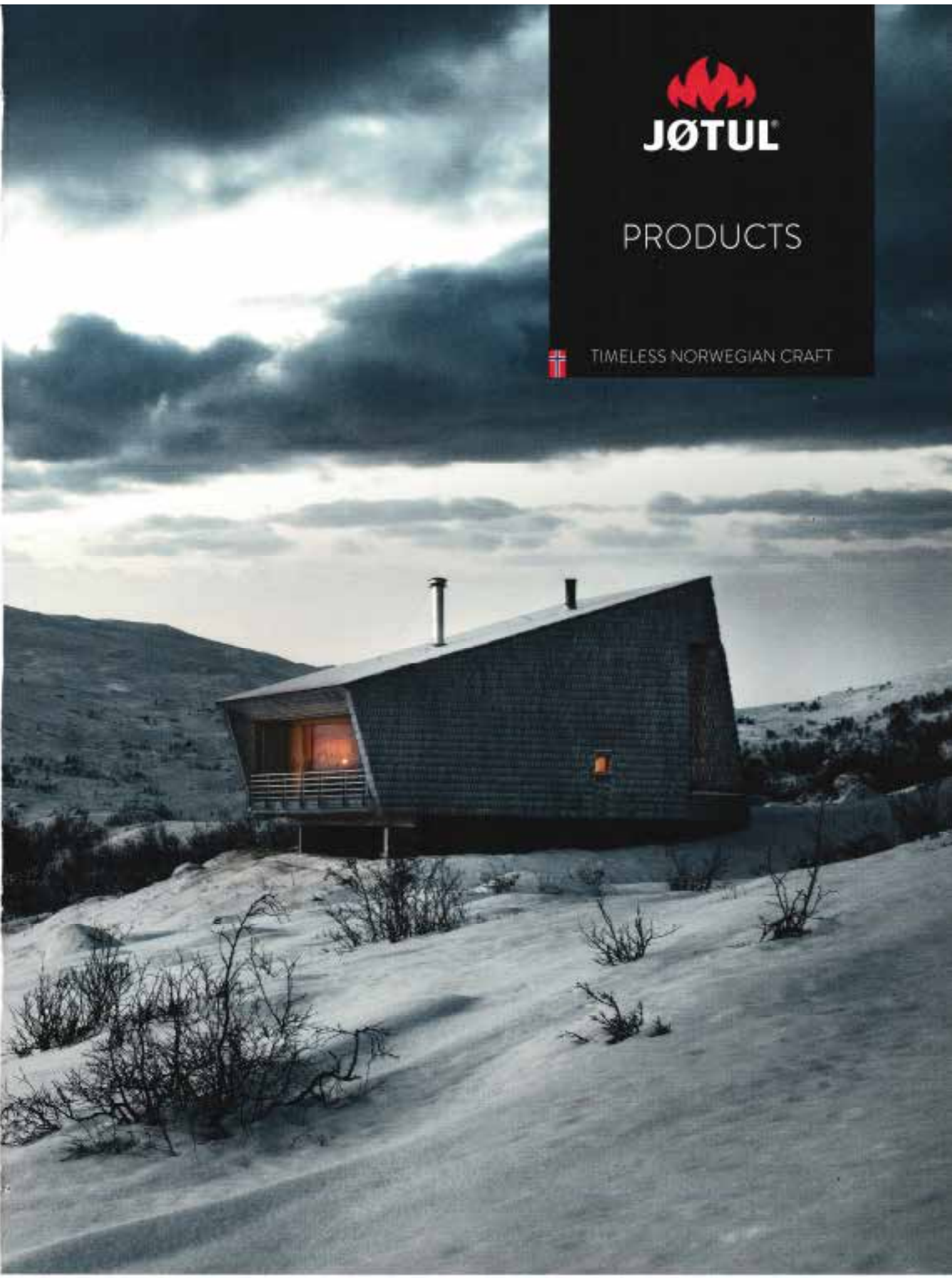




PRODUCTS



TIMELESS NORWEGIAN CRAFT





For over 160 years Jetul has been a leading manufacturer of cast iron hearth products. Founded in 1853 Jetul has grown into one of the largest cast iron hearth manufacturers in the world with subsidiaries and distribution facilities around the world.

CONTENTS

JØTUL F 602 CB	page 10
JØTUL F 100 NORDIC QT	page 10
JØTUL F 3 CB	page 11
JØTUL F 400 CASTINE	page 11
JØTUL F 118 CB BLACK BEAR	page 11
JØTUL F 500 OSLO	page 11
JØTUL F 500 OSLO CF	page 12
JØTUL F 600 FIRELIGHT CB	page 12
JØTUL F 370	page 12
JØTUL F 45 GREENVILLE	page 14
JØTUL F 55 CARRABASSETT	page 14
JØTUL F 50 TL RANGELEY	page 15
JØTUL C 350 WINTERPORT	page 18
JØTUL C 450 KENNEBEC	page 19
JØTUL C 550 ROCKLAND CB	page 19
JØTUL C 550 ROCKLAND CF	page 20
JØTUL GF 200 DV II LILLEHAMMER	page 26
JØTUL GF 200 DV IPI LILLEHAMMER	page 26
JØTUL GF 300 DV ALLAGASH	page 27
JØTUL GF 300 BV ALLAGASH	page 27
JØTUL GF 300 DV IPI ALLAGASH	page 27
JØTUL GF 400 DV SEBAGO	page 27
JØTUL GF 400 BV SEBAGO	page 28
JØTUL GF 400 DV IPI SEBAGO	page 28
JØTUL GF 500 DV IPI PORTLAND	page 28
JØTUL GF 370 DV	page 29
JØTUL GI 450 DV II IPI KATAHDIN	page 32
RADIANT AND CONVECTION HEAT	page 34
QUALITY OF ENAMEL	page 35
HEATING CAPACITY BY ZONE	page 36
TECHNICAL SPECIFICATIONS	page 38

Jøtul has a policy of constant improvement and upgrading. Products therefore may differ in specification, design, color, accessories, material or dimensions at any time without prior notice.

Some settings are for the photographs are for aesthetic purpose only and may not comply with installation requirements.

A 160 YEAR LONG NORWEGIAN ADVENTURE

With its 160 year history, Jotul is the longest running producer of wood stoves in the world. The adventure began in Loelva in 1853, when Oluf Onsum, the son of a farmer, founded Kvaerner Jernstøberi. Kvaerner began developing cast iron products, and by 1900 the company had one of the largest wood stove foundries in Norway.



During the early 1900s, Kvaerner was the most advanced mechanical workshop in Norway, and gradually they expanded their focus to new products. In 1916, they sold the wood stove production facility to 26-year-old Harman Anker, who renamed the foundry Kvaerner Øyinstøberi. His goal was to advance the quality and design of the products while continuing the legacy of Norwegian cast iron traditions. Anker was a savvy businessman who recognized the value of marketing and an advanced sales team long before this was common practice. With that, the foundation of the Jotul brand was made.

During the 1920s, the international economy experienced a serious



decline, and Jotul faced bankruptcy. They were saved by Johannes Gahr, who shared many of his predecessor's qualities, and steered Jotul out of the crisis and into a new era of growth. Once again, Jotul was the largest producer of wood stoves in Norway.

As new sources of energy such as oil, kerosene, and electricity developed, demand for wood stoves decreased.

However, Jotul continued to grow in the period following World War II, and by the 1960s, they were by far the largest of the few players left in the market. Jotul adapted to the changing market, and by the 1970s, fireplaces burning liquid fuel had become the company's largest source of income. Following the oil crisis of the 1970s, the demand for woodstoves exploded, and wood stoves once again became the most important part of Jotul's product range.

In 1977, the Gahr family sold Jotul to the major international corporation Norcem. As exporting became a major focus, the company acquired foundries and import companies in the US and Europe. In recent years, Jotul has once again built an international network and become a global brand with subsidiaries and distribution facilities around the world.

Through the highs and lows of the last 160 years, Jotul has proven itself to be a survivor, and we continue to grow and develop as a company. The success can be attributed to courage, desire, and the ability to adapt to new needs and markets. Jotul is still going strong, as a stove foundry and a global



market leader, and we invite you to join us as the adventure continues

TIMELESS NORWEGIAN CRAFT

Jøtul's cast iron wood stoves are hand made in Norway. Founded on a proud tradition, we have combined cast iron design with the art of fighting the cold for more than 160 years. This is the foundation of our current position as market leader and the preferred choice for customers all over the world who want the best.



PURE HEAT FROM NORWAY

Norway is known around the world for their focus towards sustainability and the environment and we have the strictest demands regarding emissions in the world. This is why Jøtul strives to maximize fuel utilization and optimize the heating effect from all their products. This is good news for your wallet and the environment.

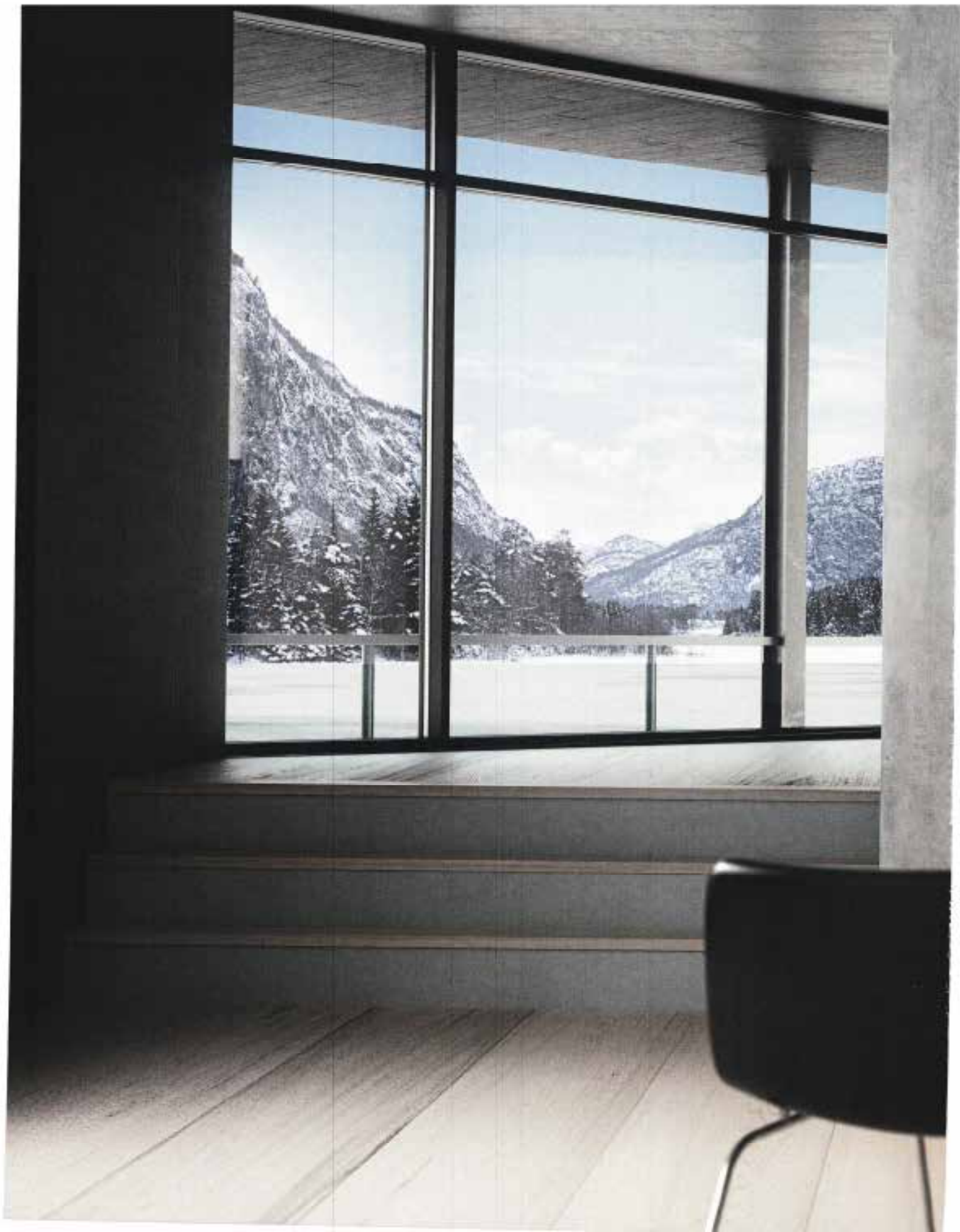
AWARD-WINNING TIMELESS DESIGN

Jøtul products represent functional, modern design. They are innovative, yet stand the test of time beyond short-term trends. At Jøtul, we are convinced that form should follow function, and that good design is more than meets the eye. Several of our products have been recognized with design awards.

CAST IRON – PREFERRED BY GENERATIONS

The choice to produce our products from cast iron is exclusively based on the material's extreme high quality and durability. Wood stoves from Jøtul do not deform, the doors stay in place, and hinges and closing mechanisms remain reliable even after long-term use. In addition, spare parts extend the longevity of a Jøtul product further.







JOTUL F 370

ENJOY THE HEAT FROM A MODERN DESIGN STOVE


The Jotul F 370 is characterized by a timeless, award-winning design, and it is one of the world's best-selling wood stoves. The combustion chamber is surrounded by glass windows, creating an optimal three-sided fire view. This wood stove is the first and only in the world to have won the prestigious international Red Dot Design Award: Best of the best.





JOTUL F 50 TL RANGELEY
TOP LOADING
CONVENIENCE

Jotul's signature cast iron and steel stove, the Jotul F 50 TL Rangeley, paved the way for what would become Jotul's hybrid line of convection/radiant stoves. Utilizing Jotul's patent pending rotating baffle, the Jotul F 50 TL Rangeley can be easily loaded from the top with the turn of a handle.



JØTUL F 500 OSLO

HOT. VERY HOT.

The Jotul F 500 Oslo is large enough to heat your entire house during those long cold winter days and nights. With its signature Gothic arch design and large fire viewing area, the Jotul F 500 Oslo is the highest volume large non-catalytic cast iron wood stove sold in North America.





STOVES

Throughout the years, this line of freestanding wood stoves has earned a reputation for being some of the best on the market for heating properties, quality, and durability. This group contains small, medium, and large stoves so you can find the perfect one for your space. They are easy to use, and the flexible range of heating capacity makes them just as suitable for use on a chilly autumn evening as on a cold winter's day.

JOTUL F 602 CB



Eva Horton, the pioneering importer of Jotul stoves in North America, shared the warmth of this stove with her neighbors in Maine in the early 1970s. Her early efforts led to Jotul earning the dominant position in the cast iron hearth industry that it still enjoys today. The Jotul F 602 CB "Little Giant" is the very definition of classic and comprises half of our Heritage line of wood stoves.

HEATING CAPACITY: Up to 800 sqft
MAXIMUM HEAT OUTPUT: Up to 28,000 BTU/hr
EFFICIENCY: 75%
BURN TIME: Up to 5 hrs
EMISSIONS: 3.4 grams/hr
LOG SIZE: Up to 16"
FIREBOX SIZE: .82 ft³
WEIGHT APPROX. 160 LBS
DIMENSIONS (HXWXD):
25.25" x 12.625" x 21.25"

COLORS:
● Black paint

ACCESSORIES: Screen, rear heat shield, fresh air kit, stove top thermometer, stove gloves

JOTUL F 100 NORDIC QT



With its handsome decorative pattern based on the traditional Norwegian sweater, this small stove is the perfect space heater for cottages, camps, and smaller living areas. This powerful stove continues our tradition of design and innovation with the Jotul Simplex™ clean burn technology, which optimizes fire viewing area, fuel loading convenience, and combustion efficiency.

HEATING CAPACITY: Up to 800 sqft
MAXIMUM HEAT OUTPUT: Up to 35,000 BTU/hr
EFFICIENCY: 75%
BURN TIME: Up to 6 hrs
EMISSIONS: 3.0 grams/hr
LOG SIZE: Up to 16"
FIREBOX SIZE: .85 ft³
WEIGHT APPROX. 215 LBS
DIMENSIONS (HXWXD):
22.5" x 20.75" x 17.5"

COLORS:
● Black paint

ACCESSORIES: Flue collar heatshield, long leg kit, leg leveler kit, fresh air kit, stove top thermometer, stove gloves



JØTUL F 3 CB



The Jøtul F 3 CB is the world's best value for your heating dollar and remains the best selling small/medium cast iron wood stove in North America. Selling up to 20,000 stoves worldwide each year, the Jøtul F 3 CB has an impeccable track record for durability - as do all of our stoves.

HEATING CAPACITY: Up to 1,200 sqft
MAXIMUM HEAT OUTPUT: Up to 42,000 BTU/hr
EFFICIENCY: 75%
BURN TIME: Up to 7 hrs
EMISSIONS: 3.78 grams/hr
LOG SIZE: Up to 18"
FIREBOX SIZE: 1.17 ft³
WEIGHT APPROX. 265 LBS
DIMENSIONS (HxWxD):
28" x 22.875" x 19"

COLORS:

- Black paint
- Blue black enamel
- Brown enamel

ACCESSORIES: Screen, short leg kit, leg leveler kit, fresh air kit, stove top thermometer, stove gloves



JØTUL F 400 CASTINE



Jøtul's medium-sized single door, non-catalytic woodstove just got better, with enhanced fire-viewing and air wash performance. Featuring meticulous craftsmanship and practical design, the Jøtul F 400 Castine will provide a warm, wonderful centerpiece for your hearth and home.

HEATING CAPACITY: Up to 1,500 sqft
MAXIMUM HEAT OUTPUT: Up to 55,000 BTU/hr
EFFICIENCY: 75%
BURN TIME: Up to 8 hrs
EMISSIONS: 3.77 grams/hr
LOG SIZE: Up to 20"
FIREBOX SIZE: 1.77 ft³
WEIGHT APPROX. 375 LBS
DIMENSIONS (HxWxD):
28.5" x 25.75" x 23.25"

COLORS:

- Black paint
- Blue black enamel
- Brown enamel
- Ivory enamel

ACCESSORIES: Screen, short leg kit, rear heatshield, leg leveler kit, fresh air kit, stove top thermometer, stove gloves



JØTUL F 118 CB BLACK BEAR



The Jøtul F 118 CB Black Bear is a timeless classic which has been updated with clean-burn technology and new details. The front of the wood stove is decorated with an ancient Norwegian prayer that was believed to keep the fire lit and the dark forces away from the house.

HEATING CAPACITY: Up to 1,500 sqft
MAXIMUM HEAT OUTPUT: Up to 55,000 BTU/hr
EFFICIENCY: 75%
BURN TIME: Up to 8 hrs
EMISSIONS: 3.43 grams/hr
LOG SIZE: Up to 24"
FIREBOX SIZE: 1.47 ft³
WEIGHT APPROX. 340 LBS
DIMENSIONS (HxWxD):
30.5" x 14" x 31.5"

COLORS:

- Black paint

ACCESSORIES: Screen, side and rear heatshield, leg leveler kit, fresh air kit, stove top thermometer, stove gloves



JØTUL F 500 OSLO



Choosing a large woodstove? This is one of our most popular models and a true performer. The Jøtul F 500 Oslo wood stove features both front and left side-loading convenience, plus its legendary non-catalytic clean burn combustion efficiency.

HEATING CAPACITY: Up to 2,000 sqft
MAXIMUM HEAT OUTPUT: Up to 70,000 BTU/hr
EFFICIENCY: 75%
BURN TIME: Up to 9 hrs
EMISSIONS: 3.2 grams/hr
LOG SIZE: Up to 24"
FIREBOX SIZE: 2.54 ft³
WEIGHT APPROX. 445 LBS
DIMENSIONS (HxWxD):
28.5" x 28.25" x 27.25"

COLORS:

- Black paint
- Blue black enamel
- Brown enamel
- Ivory enamel

ACCESSORIES: Cookplate, blower fan kit, screen, rear heatshield, leg leveler kit, fresh air kit, stove top thermometer, short leg kit, stove gloves



JØTUL F 500 CF OSLO



Showcasing all the features and benefits of our traditional Jøtul F 500 Oslo including front and side loading capabilities, the Jøtul F 500 CF (clean face) now offers an unobstructed view of the fire as well.

HEATING CAPACITY: Up to 2,000 sqft
MAXIMUM HEAT OUTPUT: Up to 70,000 BTU/hr
EFFICIENCY: 75%
BURN TIME: Up to 9 hrs.
EMISSIONS: 3.2 grams/hr
LOG SIZE: Up to 24"
FIREBOX SIZE: 2.54 ft³
WEIGHT APPROX.: 445 LBS
DIMENSIONS (HxWxD):
28.5" x 28.25" x 27.25"

COLORS:

- Black paint

ACCESSORIES: Cookplate, blower fan kit, screen, rear heatshield, leg leveler kit, fresh air kit, stove top thermometer, short leg kit, stove gloves

JØTUL F 600 FIRELIGHT CB



This extra large woodstove has long been one of our signature stoves, showcasing our design prowess. Durable built and superbly crafted, the Jøtul F 600 Firelight CB offers both front and right side-loading convenience in a classic design inspired by colonial American furniture.

HEATING CAPACITY: Up to 2,200 sqft
MAXIMUM HEAT OUTPUT: Up to 81,500 BTU/hr
EFFICIENCY: 75%
BURN TIME: Up to 10 hrs
EMISSIONS: 4.1 grams/hr
LOG SIZE: Up to 24"
FIREBOX SIZE: 2.97 ft³
WEIGHT APPROX.: 465 LBS
DIMENSIONS (HxWxD):
31" x 29" x 26.5"

COLORS:

- Black paint
- Blue black enamel
- Brown enamel

ACCESSORIES: Blower fan kit, screen, rear heatshield, leg leveler kit, fresh air kit, stove top thermometer, stove gloves

JØTUL F 370



A modern addition to our woodstove line, the Jøtul F 370 showcases innovative features and modern design details. Featuring the industry's first convex triangular cast iron construction and a unique glass panel design, the Jøtul F 370's elegant three-sided fireview will be the focal point of any room.

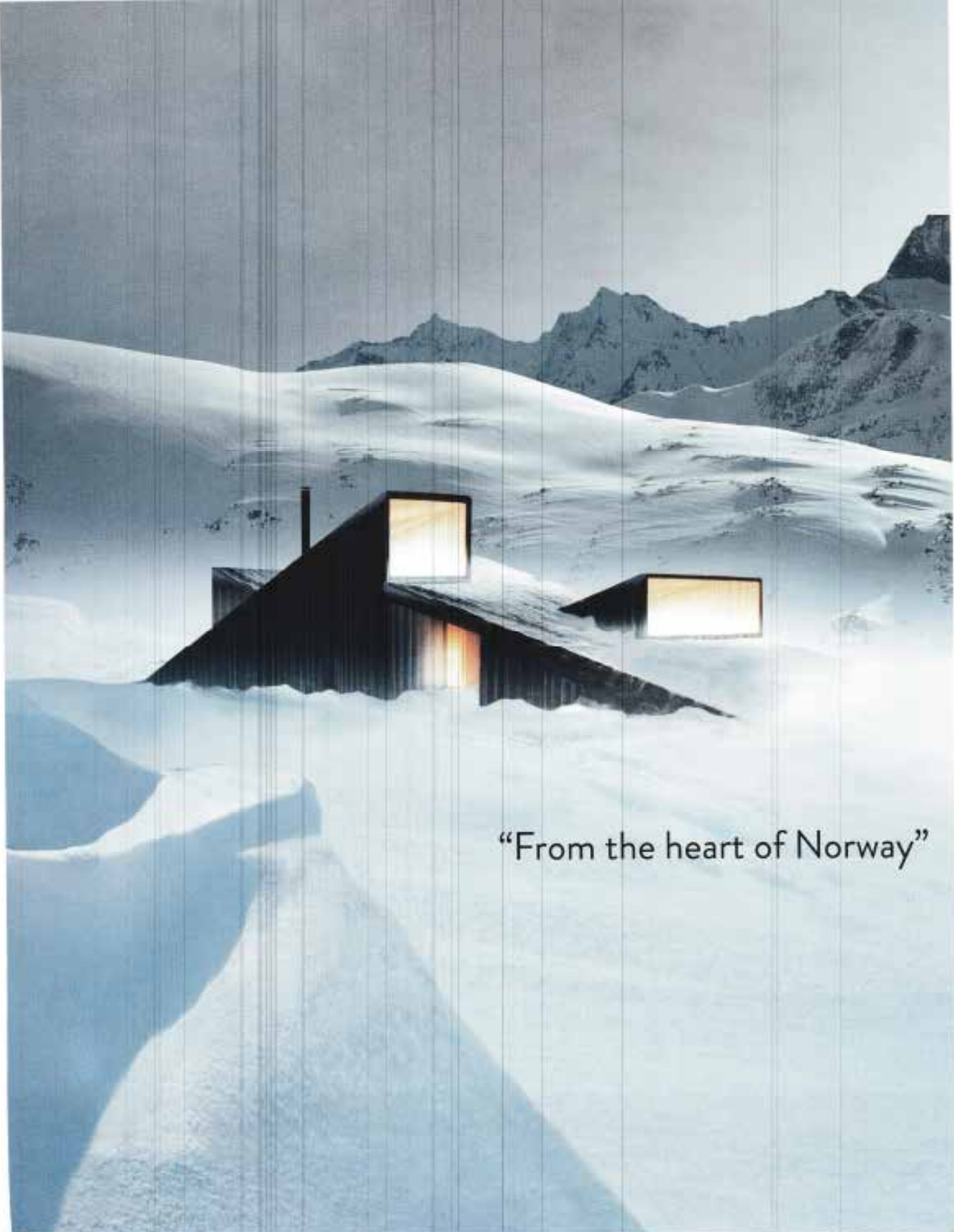
HEATING CAPACITY: Up to 800 sqft
MAXIMUM HEAT OUTPUT: Up to 35,000 BTU/hr
EFFICIENCY: 75%
BURN TIME: Up to 5 hrs
EMISSIONS: 2.6 grams/hr
LOG SIZE: Up to 12"
FIREBOX SIZE: 1.25 ft³
WEIGHT APPROX.: 344 LBS
DIMENSIONS (HxWxD):
45.5" x 17.5" x 18.625"

COLORS:

- Black paint

ACCESSORIES: stove top thermometer





“From the heart of Norway”

JØTUL
WOOD

HYBRID STOVE COLLECTION

Combining handcrafted cast iron design with the rugged durability of a steel firebox, Jøtul has created a woodstove that works both as a radiant and convection heater. Continuing to be at the forefront of design and innovation, Jøtul's hybrid collection offers a full product range that will heat any size home.

JØTUL F 45 GREENVILLE



Immense heat from a medium size unit, the Jøtul F 45 Greenville is the perfect heater for those cold winter nights.

HEATING CAPACITY: Up to 1,600 sqft
MAXIMUM HEAT OUTPUT: Up to 55,000 BTU/hr
EFFICIENCY: 82%
BURN TIME: Up to 8+ hrs
LOG SIZE: Up to 18" (front to back)
FIREBOX SIZE: 2.3 ft³
WEIGHT APPROX: 445 LBS
DIMENSIONS (HXWXD):
29.75" x 22.75" x 27.875"

COLORS:
● Black paint

ACCESSORIES: Fire screen, steel short leg kit for fireplace installation, blower fan kit, stove top thermometer, fresh air kit, stove gloves

JØTUL F 55 CARRABASSETT



If you are looking for a whole house heater, look no further. The Jøtul F 55 Carrabasset is large enough to be used as a primary heat source and commands over 10 hours of burn time.

HEATING CAPACITY: Up to 2,500 sqft
MAXIMUM HEAT OUTPUT: Up to 83,000 BTU/hr
EFFICIENCY: 84%
BURN TIME: Up to 10+ hrs
LOG SIZE: Up to 18" (front to back)
FIREBOX SIZE: 2.95 ft³
WEIGHT APPROX: 475 LBS
DIMENSIONS (HXWXD):
30.625" x 27.25" x 24.5"

COLORS:
● Black paint

ACCESSORIES: Fire screen, blower fan kit, stove top thermometer, fresh air kit, stove gloves



JØTUL F 50 TL RANGELEY



Leading the way in clean combustion technology, Jøtul now offers the convenience of top-loading in a non-catalytic wood stove. Utilizing Jøtul's patent pending rotating baffle, the Jøtul F 50 TL Rangeley can be easily loaded from the top with the turn of a handle.

HEATING CAPACITY: Up to 2,500 sqft.
MAXIMUM HEAT OUTPUT: Up to 83,000 BTU/hr
EFFICIENCY: 84%
BURN TIME: Up to 8+ hrs
LOG SIZE: Up to 20"
FIREBOX SIZE: 2.67 ft³
WEIGHT APPROX. 569 LBS.
DIMENSIONS (HXWxD):
30.625" x 27.25" x 24.5"

COLORS:

- Black paint

ACCESSORIES: WinterGrill™ kit, fire screen, blower fan kit, stove top thermometer, fresh air kit



JØTUL TOP LOADING TECHNOLOGY



Utilizing Jøtul's patent pending rotating baffle, the Jøtul F 50 TL Rangeley can be easily loaded from the top with the turn of a handle.

JØTUL WINTERGRILL™




Turning your Jøtul F 50 TL Rangeley into a fully functioning grill or smoker is quick and easy. Drop in the stainless steel grill, close the top, and get ready to enjoy grilled food any time of the year.



The Jøtul WinterGrill™ kit includes stainless steel grilling basket, grill brush, and Jøtul stove top thermometer.







JØTUL C 550 ROCKLAND CB

FLUSH FACE FIREPLACE INSERT

Clean lines and delicate curves frame the magnificent fire view of our large flush face wood burning insert - the Jøtul C 550 Rockland CB. Featuring one of the largest fire viewing areas of any comparably sized wood burning insert, the Jøtul C 550 Rockland CB maximizes heating efficiency and firebox capacity.

JØTUL
WOOD

FIREPLACE INSERTS

Tapping into years of wood burning knowledge, Jøtul set out to create a line of cast iron fireplace inserts that can quickly and easily turn your old drafty fireplace into a robust heater. Jøtul's graceful arched door design will frame the fire as it warms your hearth and home.

JØTUL C 350 WINTERPORT



Jøtul C 350 Winterport standard cast iron surround (37" W x 25.25" H) with 2" cast iron plinth (37" W x 27.25" H)



Jøtul C 350 Winterport with steel wide trim kit (40" W x 30" H)



Jøtul C 350 Winterport with trimable steel surround (37" W x 25.5" H)

Designed specifically for smaller masonry fireplaces and factory built wood fireplaces, the Vesta Design and Technology Award-winning Jøtul C 350 Winterport is our latest innovation in wood insert technology.

HEATING CAPACITY: Up to 1,300 sqft
MAXIMUM HEAT OUTPUT: Up to 40,000 BTU/hr
EFFICIENCY: 75%
BURN TIME: Up to 7 hrs.
LOG SIZE: Up to 20"
FIREBOX SIZE: 1.32 ft³
WEIGHT APPROX: 425 lbs

COLORS:

- Black paint
- Blue black enamel

ACCESSORIES: Steel wide trim kit, trimable steel surround, stove gloves



JØTUL C 450 KENNEBEC



Jøtul C 450 Kennebec cast iron surround
(40" W x 30.25" H)



Jøtul C 450 Kennebec with steel wide
trim kit (47.75" W x 34" H)



Jøtul C 450 Kennebec with trimable
steel surround (40" W x 30" H)

The Jøtul C 450 Kennebec is a medium sized wood insert with a large glass area providing a perfect view of the burning logs. Able to take a log up to 20", the Jøtul C 450 Kennebec is the perfect heater for your hearth and home.

HEATING CAPACITY: Up to 1,600 sqft
MAXIMUM HEAT OUTPUT: Up to 50,000 BTU/hr
EFFICIENCY: 75%
BURN TIME: Up to 8 hrs.
LOG SIZE: Up to 20"
FIREBOX SIZE: 2.05 ft³
WEIGHT APPROX: 445 lbs

COLORS:

- Black paint

ACCESSORIES: Steel wide trim surround, trimable steel surround, mantel heatshield, stove gloves

JØTUL C 550 ROCKLAND CB



Jøtul C 550 Rockland CB cast iron surround
(40" W x 31.625" H)



Jøtul C 550 Rockland CB with steel
wide trim kit (44" W x 34" H)



Jøtul C 550 Rockland CB with
trimable steel surround (40" W x 32" H)

Clean lines and delicate curves frame the magnificent fire view of our large flush face wood burning insert – the Jøtul C 550 Rockland CB. Named after the coastal Maine town of Rockland, and featuring one of the largest fire viewing areas of any comparably sized wood burning insert, the Jøtul C 550 CB is designed to be a whole house heater.

HEATING CAPACITY: Up to 1,800 sqft
MAXIMUM HEAT OUTPUT: Up to 65,000 BTU/hr
EFFICIENCY: 75%
BURN TIME: Up to 9 hrs.
LOG SIZE: Up to 24"
FIREBOX SIZE: 2.08 ft³
WEIGHT APPROX: 550 lbs

COLORS:

- Black paint

ACCESSORIES: Steel wide trim surround, trimable steel surround, stove gloves



JØTUL C 550 ROCKLAND CF



Jetul C 550 Rockland CF cast iron surround
(40" W x 31.625" H)



Jetul C 550 Rockland CF with steel
wide trim kit (44" W x 34" H)



Jetul C 550 Rockland CF with
trimable steel surround (40" W x 32" H)

Showcasing all the features and benefits of the traditional Jetul C 550 Rockland CB, the new Jetul C 550 Rockland CF now offers an unobstructed view of the fire as well.

HEATING CAPACITY: Up to 1,800 sqft
MAXIMUM HEAT OUTPUT: Up to 65,000 BTU/hr
EFFICIENCY: 75%
BURN TIME: Up to 9 hrs.
LOG SIZE: Up to 24"
FIREBOX SIZE: 2.08 ft³
WEIGHT APPROX: 550 lbs

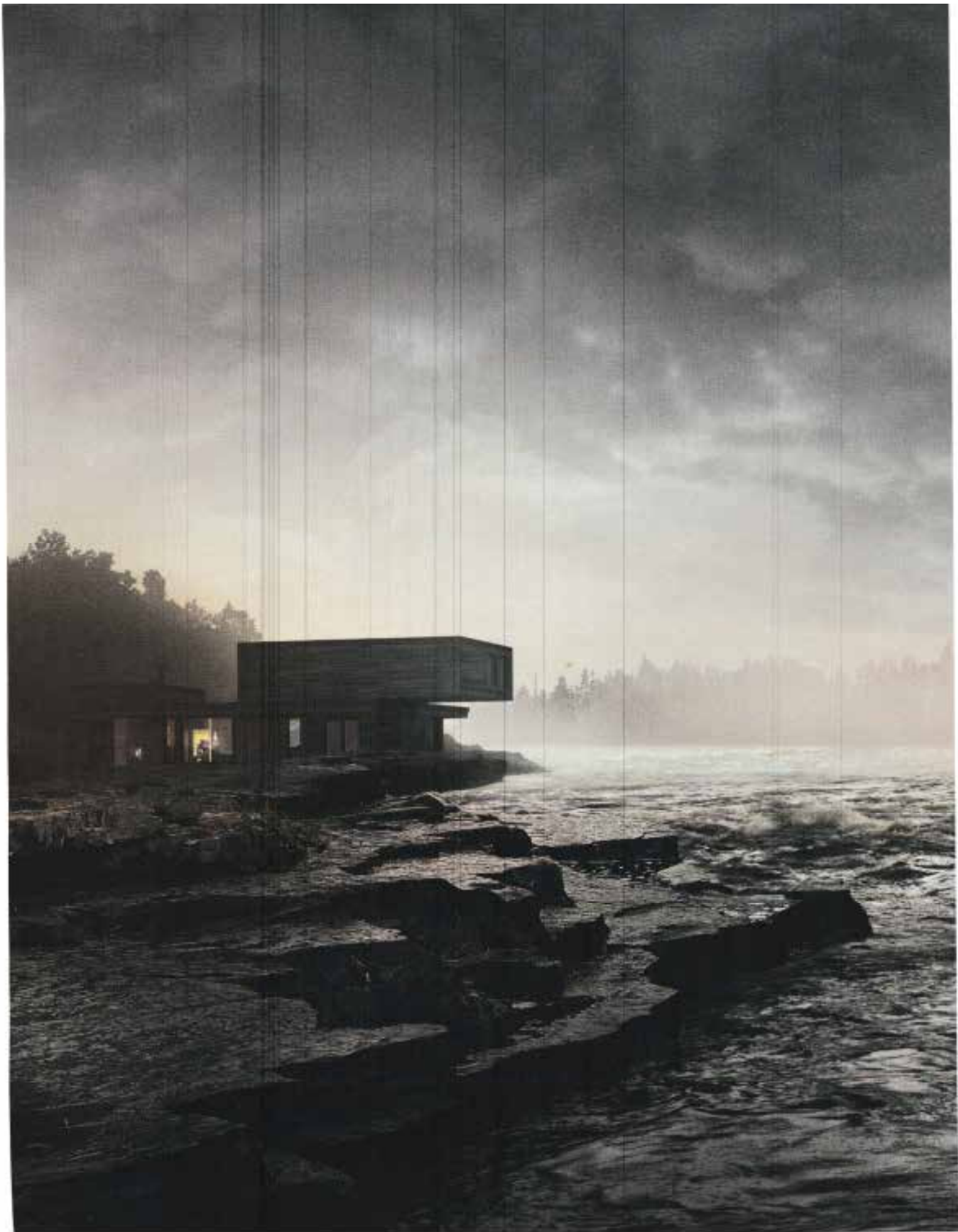
COLORS:

- Black paint
- Brown enamel

ACCESSORIES: Steel wide trim surround, trimable steel surround, stove gloves

Many decades spent coping with Scandinavian winters have given us an appreciation for heat that goes beyond mere thermometer reading. We build our products to fully enhance every dimension of your home hearth experience, be it the sound of a crackling fire enveloped in timeless cast iron design, or the warm glow of an efficiently-burning, sustainable fuel source.









JØTUL GF 500 DV IPI PORTLAND

MODERN CLASSIC DESIGN

A descendent of our signature best-selling Jøtul F 500 Oslo wood stove, the Jøtul GF 500 DV IPI Portland offers the same whole house heating capabilities at the push of a button.



JØTUL GF 370 DV

MODERN DESIGN

Based on the award winning Jøtul F 370 wood stove, the Jøtul GF 370 DV offers the same contemporary cast iron styling in a freestanding direct vent stove.





STOVES AND INSERTS

Starting with their signature modern classic cast iron design, Jøtul has engineered a full line of state of the art gas stoves and fireplace inserts. Reliable heat at the push of a button - Jøtul's cast iron gas products make heating your home a snap.

JØTUL GF 200 DV II LILLEHAMMER



Designed in collaboration with world-renowned designers and our well-regarded in-house engineers, the Jøtul GF 200 DV II Lillehammer brings into your home a touch of Scandinavian charm and warmth reminiscent of the 1994 Winter Olympics in Lillehammer, Norway.

HEATING CAPACITY: Up to 600 sqft
MIN/MAX HEAT INPUT: 11,400-20,000 (NG)
8,450-18,000 (LP)

VENTING: Direct vent
WEIGHT APPROX: 190 lbs.
DIMENSIONS (HxWxD):
25" x 22.75" x 15"

- COLORS:**
- Black paint
 - Blue black enamel
 - Brown enamel

ACCESSORIES: Fire screen, long leg kit, brick panel kit, wall thermostat, remote control, floor bracket kit, blower fan kit

JØTUL GF 200 DV IPI LILLEHAMMER



One of Jøtul's best selling small freestanding gas stoves, the Jøtul GF 200 DV Lillehammer, now features state of the art IPI combustion technology. Fueled by the new pan-style JøtulBurner™ and accented with a handcrafted 4 piece log set, the Jøtul GF 200 DV IPI Lillehammer is the perfect heater for your camp or small home.

HEATING CAPACITY: Up to 600 sqft
MIN/MAX HEAT INPUT: 11,000-20,000 (NG)
9,000-18,000 (LP)

VENTING: Direct vent (5" x 8")
WEIGHT APPROX: 185 lbs.
DIMENSIONS (HxWxD):
25" x 22.75" x 15"

- COLORS:**
- Black paint
 - Brown enamel

ACCESSORIES: Fire screen, long leg kit, brick panel kit, wall thermostat, remote control, floor bracket kit, blower fan kit



JØTUL GF 300 DV ALLAGASH



As rugged as the wilderness waterway that bears its name, world-renowned designers and our team of in-house engineers made sure that our Jøtul GF 300 DV Allagash presents the perfect union of high efficiency and cast iron beauty.

HEATING CAPACITY: Up to 1,000 sqft
MIN/MAX HEAT INPUT: 14,000-26,000 (NG)
14,000-26,000 (LP)

VENTING: Direct vent
WEIGHT APPROX: 185 lbs.
DIMENSIONS (HXWxD):
28" x 22.5" x 16"

COLORS:

- Black paint
- Blue black enamel
- Brown enamel
- Ivory enamel

ACCESSORIES: Fire screen, short leg kit, brick panel kit, wall thermostat, remote control, floor bracket kit, blower fan kit

JØTUL GF 300 BV ALLAGASH



As rugged as the wilderness waterway that bears its name, world-renowned designers and our team of in-house engineers made sure that our Jøtul GF 300 BV Allagash presents the perfect union of high efficiency and cast iron beauty.

HEATING CAPACITY: Up to 1,000 sqft
MIN/MAX HEAT INPUT: 15,000-26,000 (NG)
13,500-26,000 (LP)

VENTING: 4" B-vent
WEIGHT APPROX: 185 lbs.
DIMENSIONS (HXWxD):
28" x 22.5" x 16"

COLORS:

- Black paint
- Blue black enamel
- Brown enamel
- Ivory enamel

ACCESSORIES: Fire screen, brick panel kit, wall thermostat, remote control, floor bracket kit, blower fan kit, short leg kit

JØTUL GF 300 DV IPI ALLAGASH



The Jøtul GF 300 DV IPI Allagash combines modern classic cast iron design with state of the art combustion technology. Fueled by the new JøtulBurner™, the Jøtul GF 300 presents the perfect union of high efficiency and timeless design.

HEATING CAPACITY: Up to 1,000 sqft
MIN/MAX HEAT INPUT: 15,000-26,000 (NG)
12,000-24,000 (LP)

VENTING: Direct vent
WEIGHT APPROX: 185 lbs.
DIMENSIONS (HXWxD):
28" x 22.5" x 16"

COLORS:

- Black paint
- Blue black enamel
- Brown enamel
- Ivory enamel

ACCESSORIES: Multifunction Proflame 2 remote flame control kit, wall thermostat, top firing accent light, blower fan kit, reversible brick liner, fire screen, short leg kit

JØTUL GF 400 DV SEBAGO



World-renowned designers, in collaboration with our well-regarded in-house engineers, created this Vesta Design and Technology Award Finalist with beauty and high efficiency operation in mind. With a hand crafted log set and double door design, this stove demonstrates why Jøtul is widely recognized as the cast iron leader in quality and craftsmanship.

HEATING CAPACITY: Up to 1,400 sqft
MIN/MAX HEAT INPUT: 18,000-32,000 (NG)
16,000-32,000 (LP)

VENTING: Direct vent
WEIGHT APPROX: 190 lbs.
DIMENSIONS (HXWxD):
28.5" x 26.25" x 19.875"

COLORS:

- Black paint
- Blue black enamel
- Brown enamel

ACCESSORIES: Fire screen, brick panel kit, wall thermostat, remote control, floor bracket kit, blower fan kit, short leg kit



JØTUL GF 400 BV SEBAGO



World-renowned designers, in collaboration with our well-regarded in-house engineers, created this Vesta Design and Technology Award finalist with beauty and high efficiency operation in mind.

HEATING CAPACITY: Up to 1,700 sqft
MIN/MAX HEAT INPUT: 22,000-40,000 (NG)
20,000-40,000 (LP)

VENTING: 4" B-vent
WEIGHT APPROX: 190 lbs.
DIMENSIONS (HxWxD):
28.5" x 26.25" x 19.875"

COLORS:

- Black paint
- Blue black enamel
- Brown enamel

ACCESSORIES: Fire screen, brick panel kit, wall thermostat, remote control, floor bracket kit, blower fan kit, short leg kit

JØTUL GF 400 DV IPI SEBAGO



Beauty and efficient operation come alive together with the Jøtul GF 400 DV IPI Sebago. Handsomely detailed in cast iron, this stove's nautical styling recalls the coves and shores of Lake Sebago, locked amid the rock and pines of Maine.

HEATING CAPACITY: Up to 1,400 sqft
MIN/MAX HEAT INPUT: 17,000-32,000 (NG)
14,000-30,000 (LP)

VENTING: Direct vent
WEIGHT APPROX: 260 lbs.
DIMENSIONS (HxWxD):
28.5" x 26.25" x 19.875"

COLORS:

- Black paint
- Blue black enamel
- Brown enamel

ACCESSORIES: Multifunction Proflame 2 remote flame control kit, wall thermostat, top firing accent light, blower fan kit, reversible brick liner, fire screen, short leg kit

JØTUL GF 500 DV IPI PORTLAND



A descendent of our signature best-selling Jøtul F 500 Oslo wood stove, the Jøtul GF 500 DV IPI Portland offers the same whole house heating capabilities at the push of a button. Fueled by the new ceramic JøtulBurner™ III, the Jøtul GF 500 presents the perfect union of high efficiency and timeless cast iron design.

HEATING CAPACITY: Up to 1,700 sqft
MIN/MAX HEAT INPUT: 12,800-40,000 (NG)
14,000-39,500 (LP)

VENTING: Direct vent
WEIGHT APPROX: 260 lbs.
DIMENSIONS (HxWxD):
30" x 28.5" x 23"

COLORS:

- Black paint
- Brown enamel

ACCESSORIES: Fire screen, brick panel kit, wall thermostat, remote control, floor bracket kit, blower fan kit, short leg kit



JØTUL GF 370 DV



With its modern design and elegant three-sided fire view, the Jøtul GF 370 DV utilizes the new JøtulBumer™ III to create an exceptional fire view from any angle. Standard features include accent light, blower fan, skamol firebox liner, and remote control.

HEATING CAPACITY: Up to 1,000 sqft
MIN/MAX HEAT INPUT: 18,173-28,000 (NG)
20,750-24,000 (LP)

VENTING: Direct vent
WEIGHT APPROX: 260 lbs.
DIMENSIONS (HxWxD):
45.5" x 17.5" x 17.875"

COLORS:

- Black paint
- White enamel

ACCESSORIES: Reflective black glass liner

JØTUL GF 370 BURNER MEDIA

Traditional
Logs



Black
Glass



Tumbled
Stones



White
Starfire
Glass



River
Rocks



Traditional Logs



River Rocks



Tumbled Stones



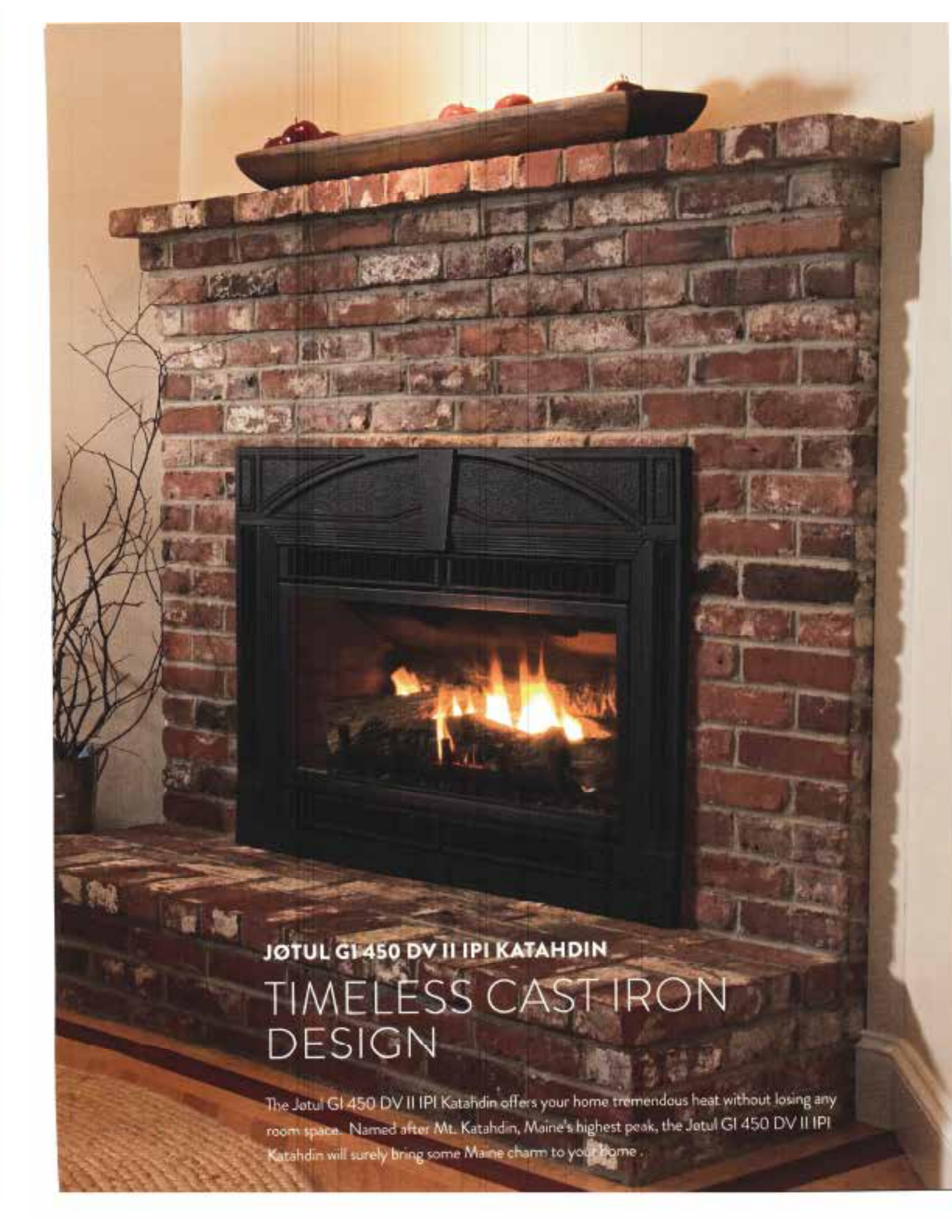
Black Glass



White Starfire Glass







JÖTUL GI 450 DV II IPI KATAHDIN

**TIMELESS CAST IRON
DESIGN**

The Jotul GI 450 DV II IPI Katahdin offers your home tremendous heat without losing any room space. Named after Mt. Katahdin, Maine's highest peak, the Jotul GI 450 DV II IPI Katahdin will surely bring some Maine charm to your home.

JØTUL GI 450 DV II IPI KATAHDIN



Jetul GI 450 DV II IPI Katahdin classic cast iron surround (40"W x 30"H)



Jetul GI 450 DV II IPI Katahdin simple steel surround (40"W x 30"H)



STANDARD DECORATIVE CAST IRON PANEL KIT

The Jetul GI 450 DV II IPI Katahdin gas insert offers the latest achievement in gas technology. Our classic cast iron design with furnace rated direct vent heating performance is simple to install and easy to use. Featuring IPI electronic ignition, battery backup, and top firing accent lights, the GI 450 DV II IPI Katahdin is the perfect combination of technology and timeless cast iron design.

HEATING CAPACITY: Up to 1,300 sqft
MIN/MAX HEAT INPUT: 23,750-33,000 (NG)
21,000-33,000 (LP)

VENTING: Direct vent
WEIGHT APPROX: 155 lbs.
FIREVIEWING AREA:
29.25" W x 13.25" H

COLORS:

- Black paint
- Blue black enamel

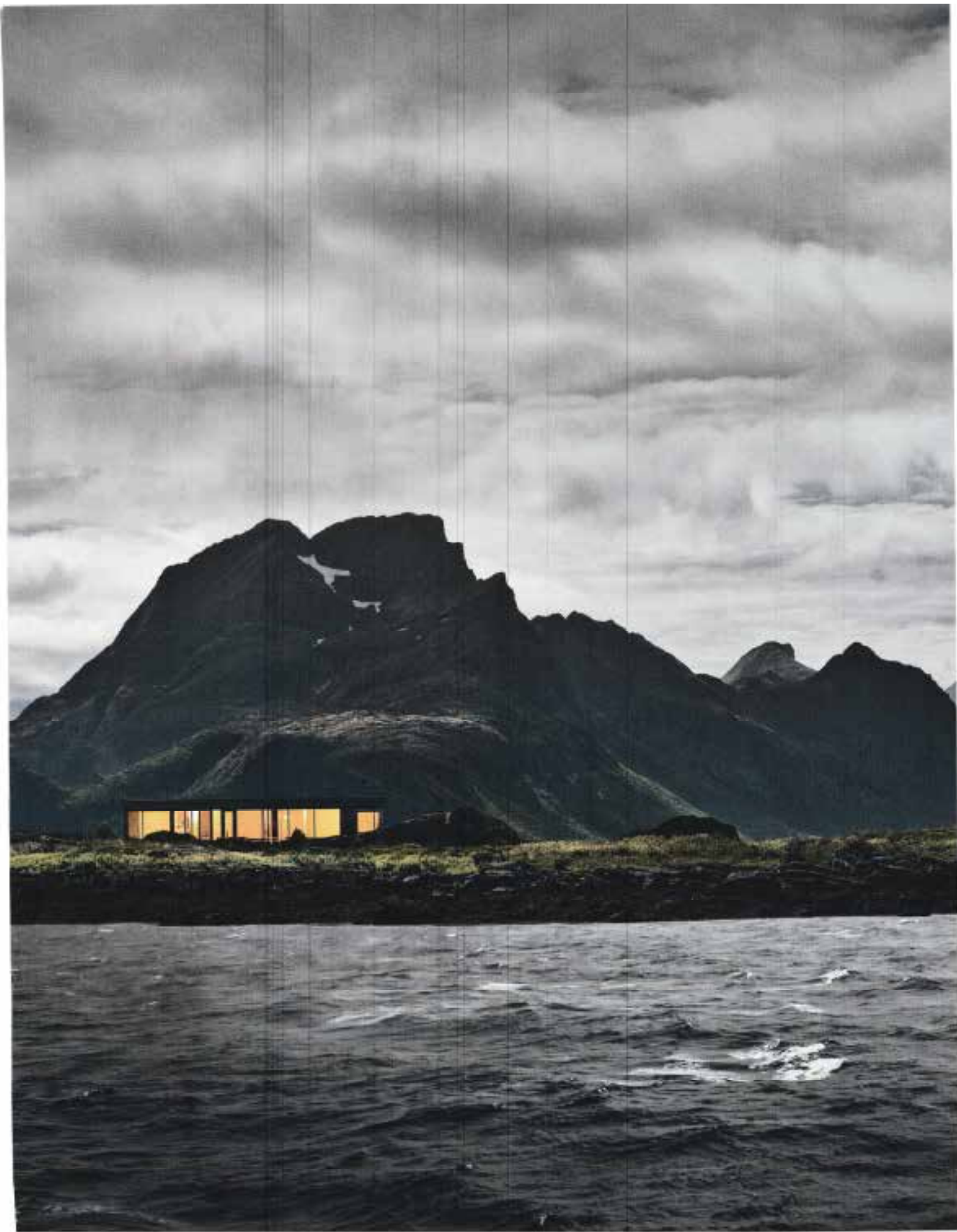
ACCESSORIES: Wall thermostat, remote control, simple steel surround, trimable steel surround, fire screen, two brick panel kits

“You have every reason to feel good when you are enjoying yourself in front of a stove from Jøtul.

We are at the forefront of environmentally friendly hearth technology.

For us, clean combustion is a matter of course.”





RADIANT AND CONVECTION HEAT

Radiant heat

Radiant heat is released as invisible light. These rays go through air until they hit a material that absorbs the rays. This material will then start to heat up. This type of heat is good for rooms with high ceilings, in drafty houses or other places where you want rapid and direct heat from the fireplace.

When arranging furniture and other objects, you should be aware that the temperature near the fireplace can get very high. Freestanding screens may be used to stop the heat rays in certain directions.

Cast iron can handle extreme heat, retains it well and releases heat evenly. In our product range, you will find wood stoves with radiant heat as well as convection wood stoves.

Convection heat

Convection heat is created when the air around the wood stove becomes warm, expands and rises. If the wood stove has a convection chamber (plates on the sides with openings on the top and bottom), the air between the wood stove and the plate will get warm more quickly. The heated air rises and distributes the heat around the room. The warm air that gathers up under the ceiling can easily be distributed down to the floor with a ceiling fan.

When using convection heating, it takes a bit longer to heat up a room when compared with radiant heat.

Both convection and radiant heat

Most fireplaces are a combination of a radiant and convection product. On the front of products with a glass door, the heat will radiate through the glass.

On the back, convection plates are usually installed to protect the wall. Most often, it is the construction on the side walls that determine whether the product is a radiant or convection wood stove. In reality, almost all products are a combination.

QUALITY OF JØTUL ENAMEL

The art of applying a high quality, durable porcelain enamel finish to cast iron begins at the start of the production process by ensuring that the composition of the cast iron is suitable for enameling. With 160 years of experience producing cast iron products and over 50 years of experience applying porcelain enamel to hearth appliances, you can be assured that you'll be enjoying a maintenance free, easy to clean finish for years to come.

Whether you prefer a matte, medium gloss, or a majolica porcelain enamel, there is a finish to suit your taste.

The secret behind our remarkable enamel quality is the production process. The moulding process itself is vital to get cast iron of the correct quality, which is a requirement for optimal enamel quality. Before the products are coated with the enamel, they receive one more round of sandblasting to remove oxides and graphite from the surface and to make it rougher so that the enamel can attach itself properly to the cast iron.

Today, we deliver products in different degrees of gloss. Some have a matte finish, others are glossy, and we also offer products with majolica enamel.

The common denominator for all the enamelled surfaces is that they are durable and maintenance-free, so that you and your family can enjoy your Jøtul wood or gas stove for generations to come.

OUR SELECTION OF ENAMELED SURFACES



Blue Black enamel



Brown Majolica enamel

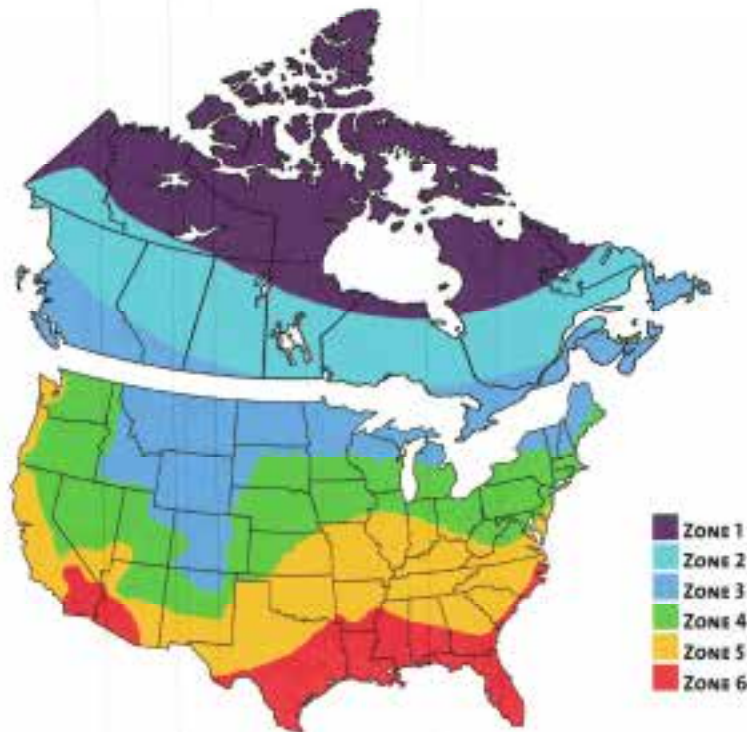


Ivory enamel



Jøtul Gas Stoves & Inserts

US & Canada Heat Capacity by Zone



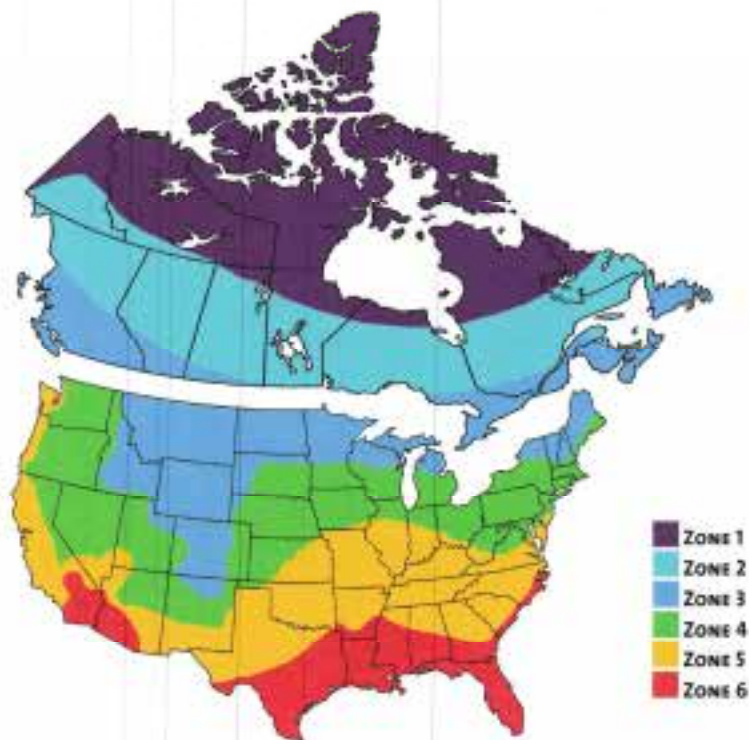
Model	Min Output (BTU/Hr)	Zone 1 (sq. ft.)	Zone 2 (sq. ft.)	Zone 3 (sq. ft.)	Zone 4 (sq. ft.)	Zone 5 (sq. ft.)	Zone 6 (sq. ft.)
Jøtul GF 200 DV II Lillehammer	11 - 20,000	100	200	400	600	700	800
Jøtul GF 200 DV IPI Lillehammer	11 - 20,000	100	200	400	600	700	800
Jøtul GF 300 DV IPI Allagash	14 - 26,000	400	600	800	1000	1200	1300
Jøtul GF 300 BV Allagash	14 - 26,000	400	600	800	1000	1200	1300
Jøtul GF 300 DV Allagash	14 - 26,000	400	600	800	1000	1200	1300
Jøtul GF 400 DV IPI Sebago	18 - 32,000	700	1000	1200	1400	1600	2000
Jøtul GF 400 BV Sebago	22 - 40,000	700	1000	1200	1700	1800	2000
Jøtul GF 400 DV Sebago	18 - 32,000	700	1000	1200	1400	1600	2000
Jøtul GF 500 DV IPI Portland	14 - 40,000	800	1200	1400	1700	1800	2000
Jøtul GF 370 DV	18 - 28,000	400	600	800	1000	1200	1300
Jøtul GI 450 DV II IPI Katahdin	18 - 28,000	400	600	800	1000	1200	1300

This heating capacity zone chart is to be used as a guideline only. Square footage measurements may differ due to climate, building construction, and location of stove. Approximate BTU output reflects both natural and LP gas applications.



Jøtul Wood Stoves

US & Canada Heat Capacity by Zone



Model	Min Output (BTU/Hr)	Zone 1 (sq. ft.)	Zone 2 (sq. ft.)	Zone 3 (sq. ft.)	Zone 4 (sq. ft.)	Zone 5 (sq. ft.)	Zone 6 (sq. ft.)
Jetul F 602 CB	28,000	400	500	600	800	900	1000
Jetul F 100 Nordic QT	35,000	400	500	600	800	900	1000
Jetul F 3 CB	42,000	600	800	1000	1200	1300	1500
Jetul F 45 Greenville	55,000	900	1100	1300	1500	1700	1800
Jetul F 400 Castine	55,000	900	1100	1300	1500	1700	1800
Jetul F 118 CB Black Bear	55,000	900	1100	1300	1500	1700	1800
Jetul F 500 Oslo	70,000	1400	1600	1800	2000	2200	2300
Jetul F 50 TL Rangeley	83,000	1700	1900	2100	2300	2500	2600
Jetul F 55 Carrabassett	83,000	1700	1900	2100	2300	2500	2600
Jetul F 600 Firelight	81,500	1600	1800	2000	2200	2400	2500
Jetul F 370	35,000	400	500	600	800	900	1000

This heating capacity zone chart is to be used as a guideline only. Square footage measurements may differ due to climate, building construction, and location of stove.



JØTUL WOOD STOVES & INSERTS - TECHNICAL SPECIFICATIONS

	JØTUL F 502	JØTUL F 100	JØTUL F 370	JØTUL F 3 CB	JØTUL F 400	JØTUL F 118
Page	12	12	13	13	13	13
Heating capacity up to sqft*	800	800	800	1,200	1,500	1,500
Efficiency up to (%)	75%	75%	75%	75%	75%	75%
Log size up to	16"	16"	12"	18"	20"	24"
Maximum heat output (BTU/hr)	28,000	35,000	35,000	42,000	55,000	55,000
Combustion	Non Catalytic	Non Catalytic	Non Catalytic	Non Catalytic	Non Catalytic	Non Catalytic
Emissions (Grams/hr)	3.4	3.0	2.6	3.78	3.77	3.43
Burn time up to	5 hrs	6 hrs	5 hrs	7 hrs	8 hrs	8 hrs
Firebox Size	.82 ft ³	.85 ft ³	1.25 ft ³	1.17 ft ³	1.77 ft ³	1.47 ft ³
Flue size	6"	6"	6"	6"	6"	6"
Weight approx. (lbs)	160	215	344	265	375	340
Height	25 1/4"	22 1/2"	45 1/2"	28"	28 1/2"	30 1/2"
Width	12 5/8"	20 3/4"	17 1/2"	22 7/8"	25 3/4"	14"
Depth	21 1/4"	17 1/2"	18 5/8"	19"	23 1/4"	31 1/2"
Height to Top of Flue						
Top	26 1/2"	24"	45"	28"	29 1/2"	32"
Rear	24 3/4"	21 3/4"	43 1/2"	25 1/2"	28 1/2"	30"
Rear w/opt. short legs				23 1/4"	26 1/4"	
Clearance-Top Vent						
Rear	13 1/2"	11"	12"	25"	25"	9"
Side	21"	15"	22"	24"	19"	35"
Corner	13"	10"	16"	18"	18"	26"
Clearance**						
Rear	9"	8"	6"	10"	7"	3 1/2"
Side	24"	17"	22"	18"	15"	18"
Corner	9"	10"	16"	14"	11"	12 1/2"
Minimum Hearth Dimensions (W x D)	28 1/2" x 45 1/2"	37" x 38"	29 1/2" x 33 3/4"	39" x 39"	42" x 44"	30 1/2" x 53"
Minimum Fireplace Dimensions						
SURFACES						
BP Black paint	•	•	•	•	•	•
IVE Ivory enamel					•	
BBE Blue Black enamel				•	•	
BRM Brown majolica enamel				•	•	

* Heating capacity is to be used as a guideline only. Square footage measurements may differ due to climate, building construction and location of stove.

** Clearances with rear heatshield and double wall insulated chimney connector



JØTUL F 500	JØTUL F 600	JØTUL F 45	JØTUL F 50 TL	JØTUL F 55	JØTUL C 350	JØTUL C 450	JØTUL C 550
14	14	16	16	17	18	19	19
2,000	2,200	1,600	2,500	2,500	1,300	1,600	1,800
75%	75%	75%	75%	75%	75%	75%	75%
24"	24"	18"	20"	18" front to back	20"	20"	24"
70,000	81,500	55,000	83,000	83,000	40,000	50,000	65,000
Non Catalytic	Non Catalytic	Non Catalytic	Non Catalytic	Non Catalytic	Non Catalytic	Non Catalytic	Non Catalytic
3.2	4.1	2.31	2.84	3.50	4.0	4.4	4.5
9 hrs	10 hrs	8 hrs	8 hrs	10 hrs	7 hrs	8 hrs	9 hrs
2.54 ft ³	2.97 ft ³	2.3 ft ³	2.67 ft ³	2.95 ft ³	1.32 ft ³	2.05 ft ³	2.08 ft ³
6"	6"	6"	6"	6"	6"	6"	6"
445	465	445	569	475	425	445	550
28 1/2"	31"	29 3/4"	30 5/8"	30 5/8"	19 1/2"	22"	23 3/4"
28 1/4"	29"	22 3/4"	27 1/4"	27 1/4"	27 3/4"	29"	30"
27 1/4"	26 1/2"	25 7/8"	24 1/2"	24 1/2"	16"	12 3/4" - 16 3/4"	18"
28 1/2"	31 1/2"	29 3/4"	30 5/8"	30 5/8"			
28 1/4"	30 1/2"	29 1/2"	30"	30"			
26"		26 1/4"					
18"	19"	10"	18"	18"			
14"	13"	15"	14"	14"			
13"	13"	11"	12"	12"			
6"	8"	6"	6"	6"			
14"	13"	15"	14"	14"			
9"	9"	11"	12"	12"			
41 1/2" x 50 1/2"	55" x 50"	30" x 44"	33" x 40 3/4"	33" x 40 3/4"	34 1/2" x 16"	40" x 18"	37" x 16"
					32" x 19 1/2" x 16"	27 1/2" x 23" x 14"	33" x 23 3/4" x 18"
.
.
.
.

	JOTUL GF 200	JOTUL GF 200 DV IPI	JOTUL GF 300 DV	JOTUL GF 300 BV	JOTUL GF 300 IPI	JOTUL GF 400 DV
Page	26	26	27	27	27	27
Venting	Direct vent	Direct vent	Direct vent	B-vent	Direct vent	Direct vent
Venting size	6 5/8" x 4"	5" x 8"	6 5/8" x 4"	4"	6 5/8" x 4"	6 5/8" x 4"
Heating capacity up to sqft*	600	600	1,000	1,000	1,000	1,000
Min/Max heat input (NG)	11,700-20,000	11,000-20,000	14,000-26,000	15,000-26,000	15,700-26,000	16,400-32,000
Min/Max heat input (LP)	8,400-18,000	9,000-18,000	14,000-26,000	13,500-26,000	12,000-24,000	16,000-32,000
AFUE NG/LP	65.25%/68.4%	68.6%/68.2%	65.3%/67.4%	75.9%/76.5%	69.6%/66.9%	64.9%/66.9%
EnerGuide Rating (Canada only)(NG/LP)	68.69%/69.73%	69.11%/68.97%	64.6%/na	63.6%/na	70.02%/71.07%	67.4%/na
DIMENSIONS						
Height	24 3/4"	25"	28"	27 3/4"	28 1/2"	28 1/2"
Height with optional leg kit	27"	27 1/4"	25 3/4"	25 1/2"	26 1/4"	26 1/4"
Width	21"	22 3/4"	22 1/2"	22 1/2"	22 1/2"	26 1/2"
Depth	17 1/2"	15"	16"	16"	16"	19 1/2"
Weight (lbs)	190	190	185	185	185	190
CLEARANCE						
Rear	0"	0"	2"	2"	2"	2"
Side	3"	3"	3"	3"	3"	3"
Corner	2"	2"	2"	3"	2"	2"
ACCESSORIES						
Blower fan kit	*	*	*	*	*	*
Wall thermostat	*	*	*	*	*	*
Remote control	*	*	*	*	*	*
Accent light kit					*	
Fire screen	*	*	*	*	*	*
Brick liner	*	*	*	*	*	*
Floor bracket kit	*	*	*	*	*	*
SURFACES:						
Black paint	-	-	*	*	*	*
Ivory enamel			*	*	*	
Black blue enamel	*		*	*	*	*
Brown majolica enamel	*	*	*	*	*	*
White enamel						

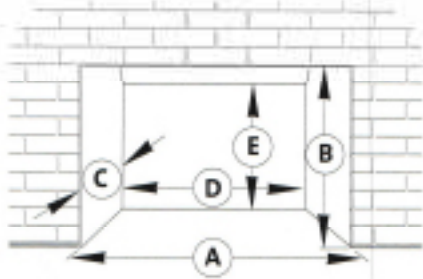
* Heating capacity is to be used as a guideline only. Square footage measurements may differ due to climate, building construction and location of stove.



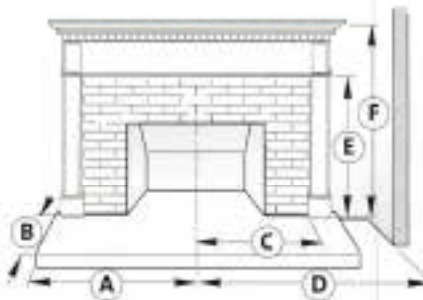
JØTUL GF 400 BV	JØTUL GF 400 IPI	JØTUL GF 500 IPI	JØTUL GF 370	JØTUL GI 450
28	28	28	29	32
B-vent	Direct vent	Direct vent	Direct vent	Direct vent
4"	6 5/8" x 4"	6 5/8" x 4"	6 5/8" x 4"	3" x 3"
1,700	1,400	1,700	1,000	1,000
22,000-40,000	17,000-32,000	12,800-40,000	18,173-28,000	24,800-33,000
20,000-40,000	14,000-30,000	14,000-39,500	20,750-24,000	21,000-33,000
72.2%/73.5%	69.3%/69.5%	68%/68.3%	71.2%/66.8%	
64.2%/na	68.8%/68.5%	72.41%/65.01%	72.41%/65.05%	70.62%
28"	28 1/2"	30"	45 1/2"	20"
25 3/4"	26"	27 3/4"		
26 1/2"	26 1/2"	28 1/2"	18 1/4"	31 1/4"
24"	19 1/2"	23"	18 3/4"	15 1/2"
190	190	260	260	140
3"	2"	3"	3"	
3"	3"	7"	7"	
3"	2"	5"	5"	
.	.			.
.	.			.
.	.			.
.	.			.
.	.			.
.	.			.
.	.			.
.
.	.			.
.	.			.
.	.		.	



Gas Fireplace Insert Clearances
Jotul GI 450 DV II IPI Katahdin

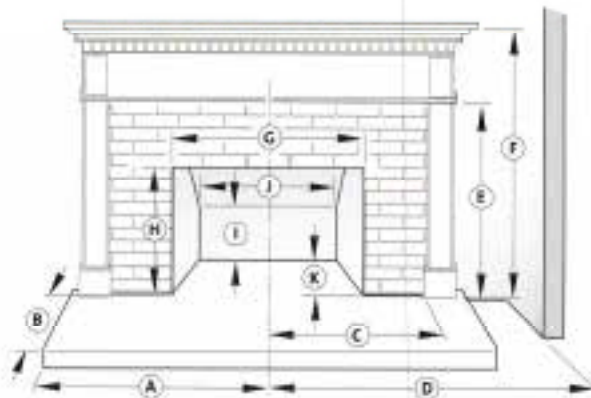


A	Minimum Opening Width	32 1/2"
B	Minimum Opening Height	20"
C	Minimum Fireplace Depth	15"
D	Minimum Back Wall Width	21"
E	Minimum Back Wall Height	17"



- A: Hearth Protection Width**
 - Unit flush or raised: 8" from fireplace opening
- B: Hearth Protection Depth**
 - Unit flush with hearth 16"
 - Unit raised min. 6" off floor: 12"
- C: Side Trim Clearance**
 - Up to 6" thick, from fireplace center line: 20 1/2"
- D: Side Room Wall Clearance**
 - From the fireplace center line: 24 1/2"
- E: Top Trim Clearance**
 - From hearth: 41"
- F: Mantel Clearance**
 - 42.5" @ 3.5" depth and 48.5" @ 11.5"

Wood Fireplace Insert Clearances



Minimum Dimensions

- A: Hearth Width from centerline
- B: Hearth Depth
- C: To 1" Side Trim from centerline
- D: To Side Wall from centerline
- E: To 1" Top Trim
- F: To 3 1/2" Mantel
To 11 1/2" Mantel
- G: Front Opening Width
- H: Lintel Height
- I: Rear Wall Height
- J: Rear Wall Width
- K: Fireplace Depth

	Jotul C 350	Jotul C 450	Jotul C 550
A: Hearth Width from centerline	17 1/4"	20"	18 1/2"
B: Hearth Depth	16"	18"	16"/20" CAN***
C: To 1" Side Trim from centerline	19 1/2"	20 3/4"	(1" to 6") - 23"
D: To Side Wall from centerline	54 1/2"	44 1/4"	28"
E: To 1" Top Trim	39**	n/a	39"
F: To 3 1/2" Mantel	48**	49 1/2" [†]	40****
To 11 1/2" Mantel	54**	55 1/2" [†]	46****
G: Front Opening Width	32"	27 1/2"	33"
H: Lintel Height	19 1/2**	23"	23 3/4"
I: Rear Wall Height	16 3/4"	21 1/2"	22"
J: Rear Wall Width	22 3/4"	25 1/2"	24"
K: Fireplace Depth	16"	14" - 17"	18"

All dimensions measured from the fireplace cavity centerline or the hearth surface

* Add 2" w/ Jotul C 350 Riser
 ** Mantel clearance may be reduced by 3" with use of optional Mantel Heat Shield
 *** 15 1/2" in Canada with 2 1/2" raised hearth extension in code approved masonry fireplace
 † Mantel clearance may be reduced by 12" in both US and Canada with use of optional Mantel Heat Shield



Jetul GI 450 DV II Katahdin

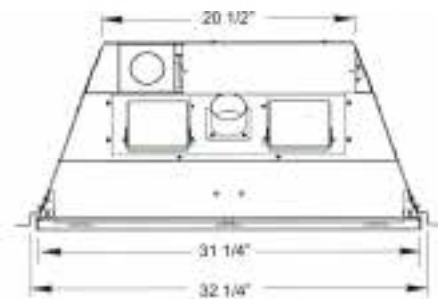
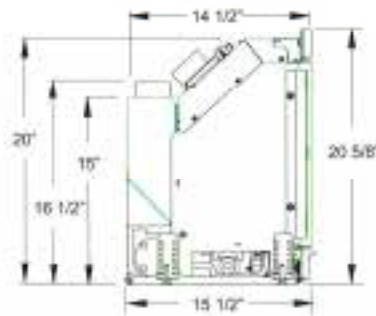
Cast Iron Surrounds

40" W x 28" H
(40" x 30" w/Plinth)

**Optional steel wide surround
(for use with cast iron)**

47.75" W x 34" H

**Simple and Trimable Surround
40" W x 30" H**



Jetul C 350 Winterport

Classic Cast Iron Surround

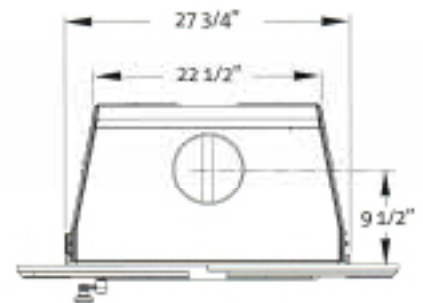
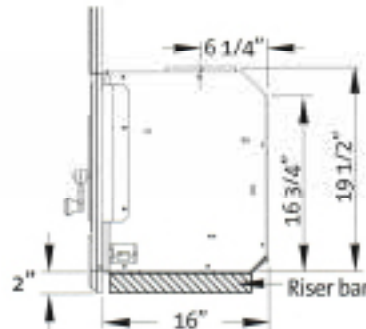
37" wide x 25 1/2" high
(27 1/2" H w/Plinth)

Trimable Steel Surround

37" wide x 25 1/2" high

Steel Wide Trim Kit

40" wide x 30" high



Jetul C 450 Kennebec

(Single or Double Door)

Classic Cast Iron Surround

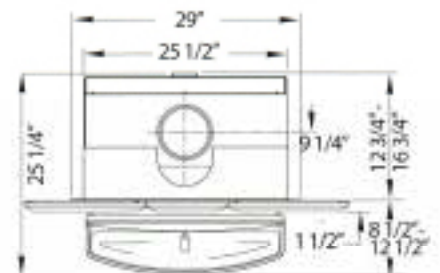
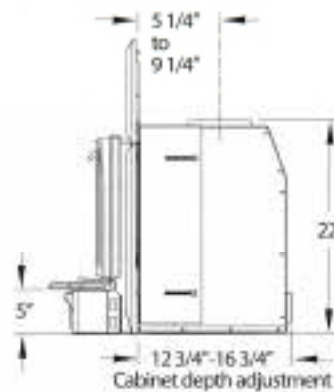
40" wide x 30 1/4" high

Trimable Steel Surround

40" wide x 30" high

Steel Wide Trim Kit

47.75" wide x 34" high



Jetul C 550 Rockland

Classic Cast Iron Surround

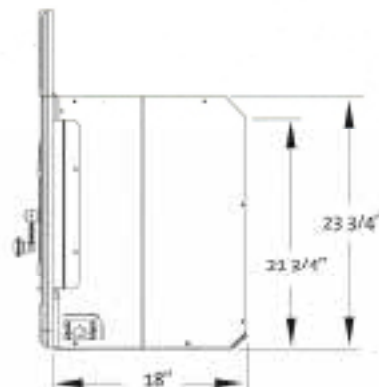
40" wide x 31 5/8" high

Trimable Steel Surround

40" wide x 32" high

Steel Wide Trim Kit

44" wide x 34" high





“Jøtul – a life-long source of warmth and comfort.”

Dealer info:

Cottonwood Creek Heating

28302 CR 317

PO Box 3068

Buena Vista, CO 81211

719-395-6535

info@ cottonwoodcreekheating.com

www.cottonwoodcreekheating.com

JANUARY 2015